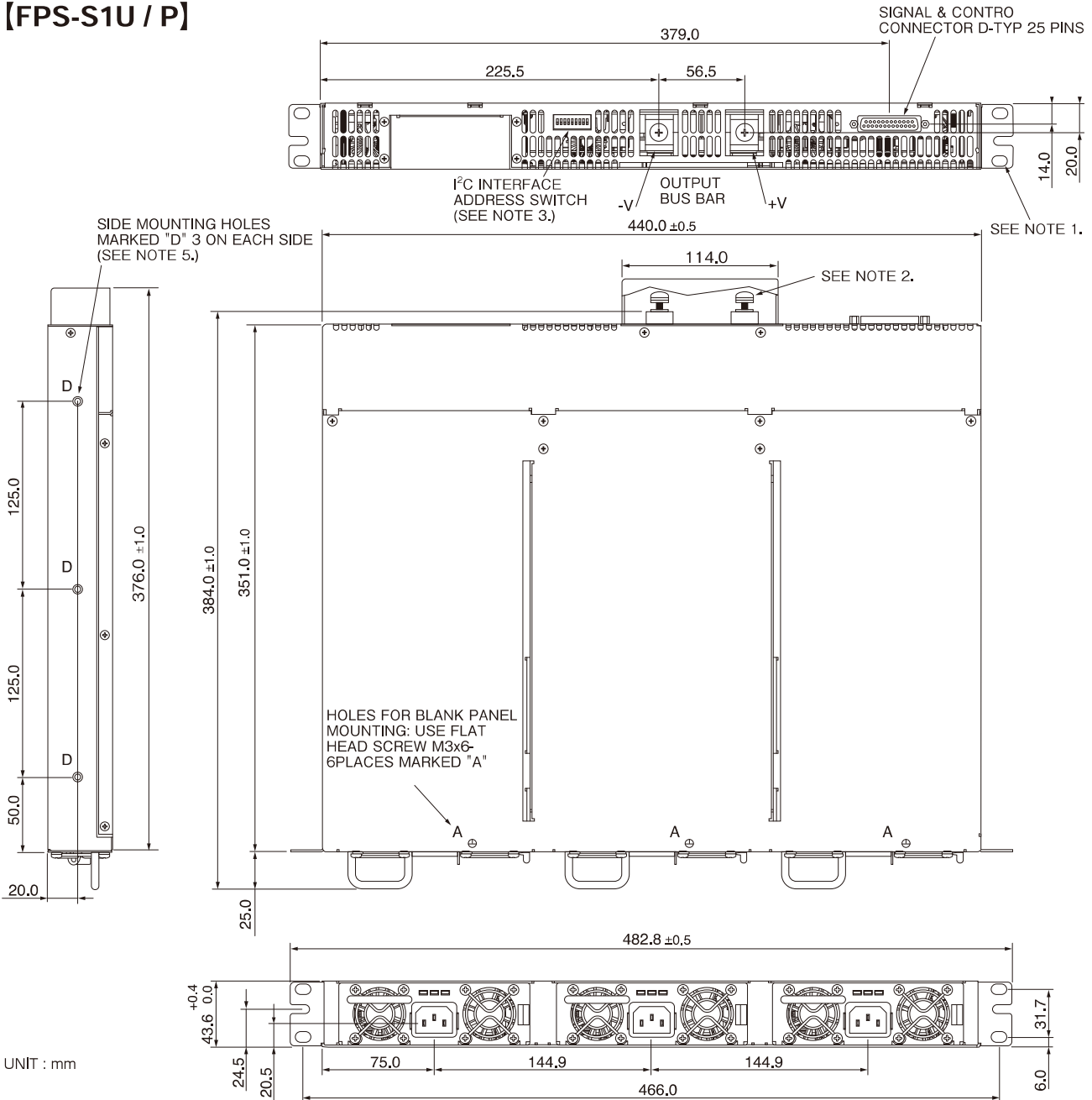


[FPS-S1U / P]



UNIT : mm

NOTES

- (\*1) MOUNTING HOLES FOR 19" RACK, USE M6x12 TO FIX THE UNIT TO A RACK.
- (\*2) M6x16 SCREWS FOR LOAD WIRES FIXING. USE M6 LUG FOR THE LOAD WIRES. RECOMMENDED TIGHTENING TORQUE 42 - 56 Kgf.cm
- (\*3) REFER TO INSTRUCTION MANUAL FOR SETTING DETAILS.
- (\*4) MODEL NAME , VOLTAGE AND CURRENT RATING AND SAFETY APPROVALS SYMBOLS WILL BE SHOWN HERE ACCORDING TO THE SPECIFICATIONS.
- (\*5) MOUNTING HOLES M5 FOR MOUNTING BRACKETS . USE M5x8 SCREWS TO FIX THE BRACKETS TO THE CHASSIS. SCREWS MUST NOT PENETRATE THE CHASSIS MORE THAN 6 mm.
- (\*6) THE FPS-S1U/P RACK IS SHOWN WITH 3 FPS1000/P UNITS INSTALLED.

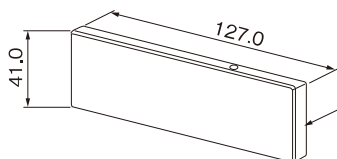
SIGNALS & CONTROL CONNECTOR PINS ASSIGNMENT

CONNECTOR DESCRIPTION:  
D-TYPE RIGHT ANGLE, 25 POSITIONS.  
FRONT METAL SHELL.  
AMP P/N: 747846-4

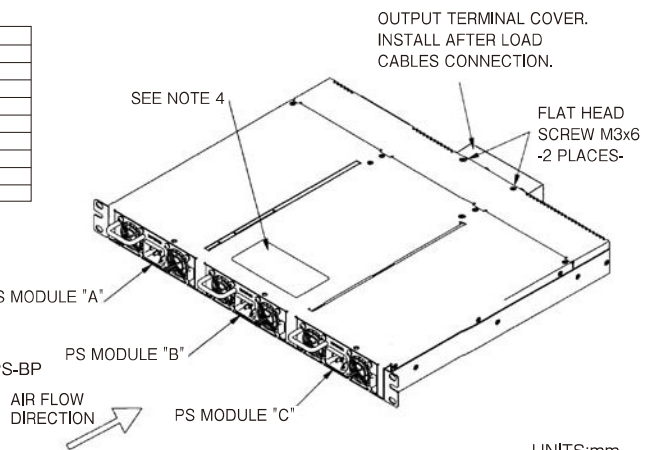


PIN NUMBER.	FUNCTION	PIN NUMBER.	FUNCTION	PIN NUMBER.	FUNCTION
1	V_TRIM_B	9	CS	17	NC
2	TEMP_ALARM_B	10	V_TRIM_C	18	NC
3	DC_OK_B	11	SIGNAL_RTN	19	NC
4	TEMP_ALARM_A	12	DC_OK_C	20	SCL(FC)
5	ON/OFF_A	13	+SENSE	21	SDA(FC)
6	DC_OK_A	14	AC_FAIL_B	22	-SENSE
7	V_TRIM_A	15	ON/OFF_B	23	TEMP_ALARM_C
8	+12V_AUX	16	AC_FAIL_A	24	AC_FAIL_C
				25	ON/OFF_C

OUTPUT TERMINAL COVER.  
INSTALL AFTER LOAD  
CABLES CONNECTION.



BLANK PANEL  
INFORMATION:  
(OPTIONAL)  
ORDER NAME: FPS-BP



UNITS:mm